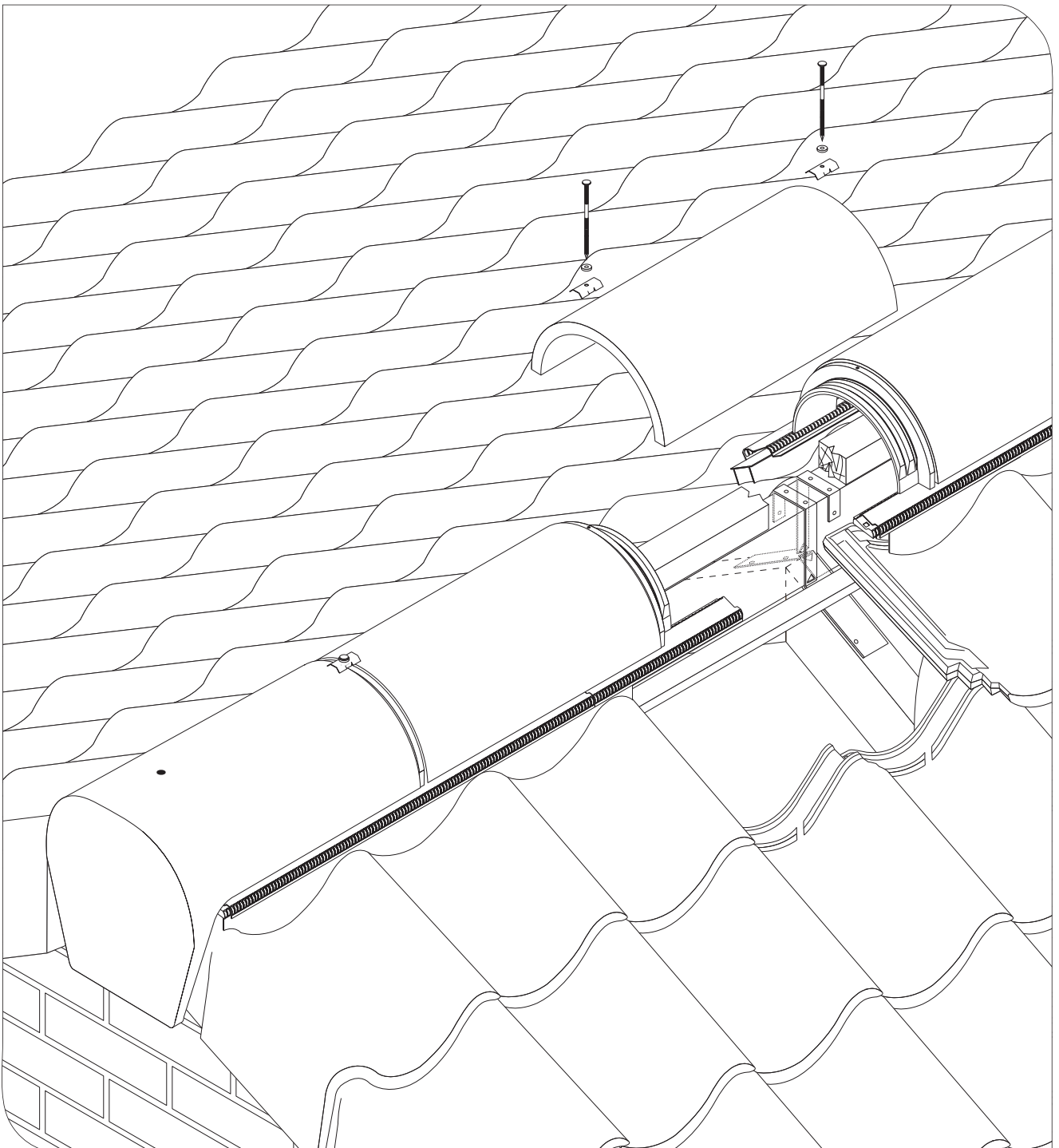


Sandtoft

**Installation guide for
Sandtoft Profile Ridge**



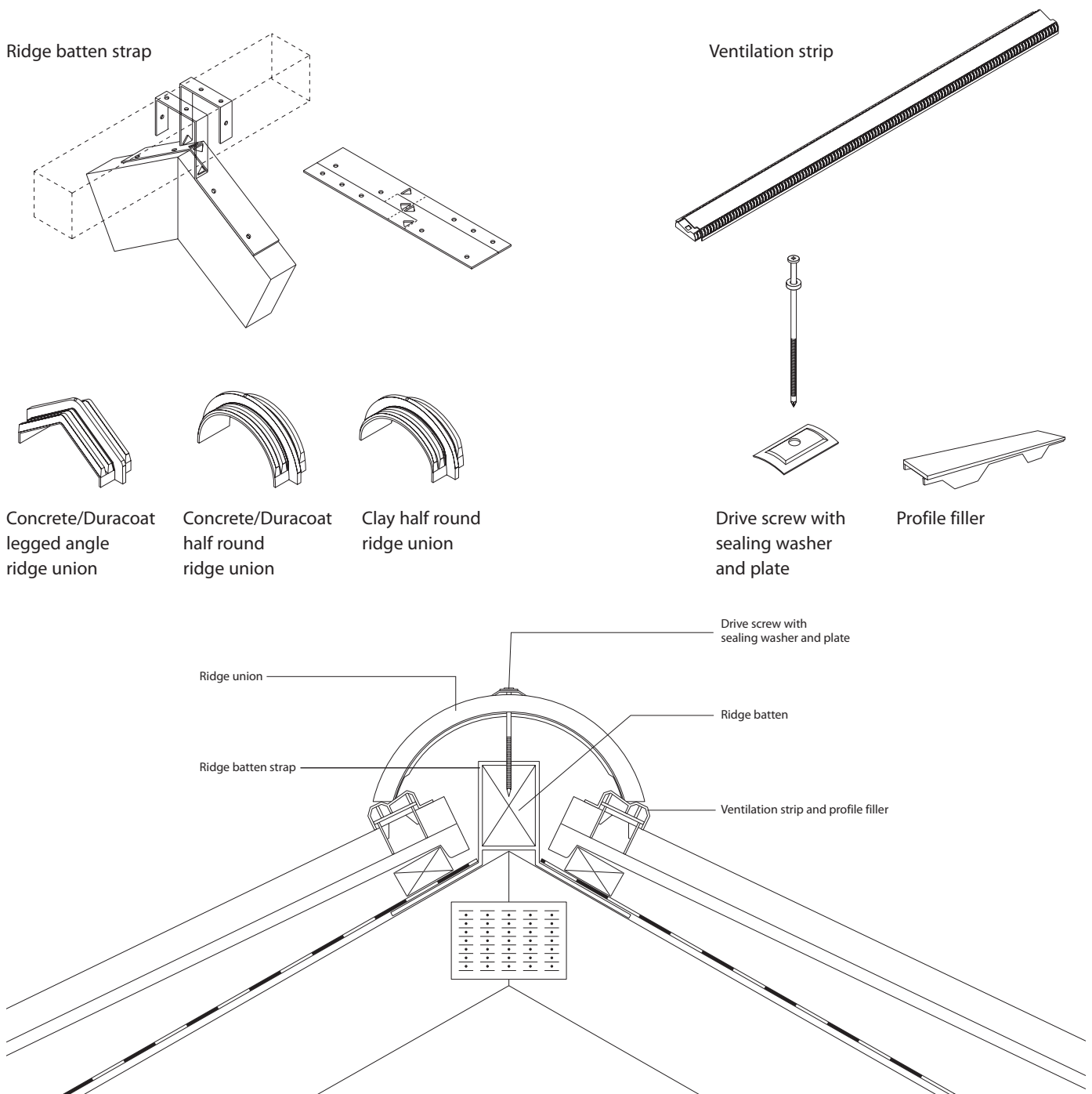
Installation guide for Sandtoft Profile Ridge

The Profile Ridge system incorporates ventilation strips to support the ridges and provide high level ventilation. Ridge unions provide an efficient seal between each ridge and give the appearance of a 10 mm mortar joint. To complete the system and to enhance aesthetics, profile fillers are supplied for profiled tile types. The fillers click into the ventilation strips and both are marked to ensure correct orientation.

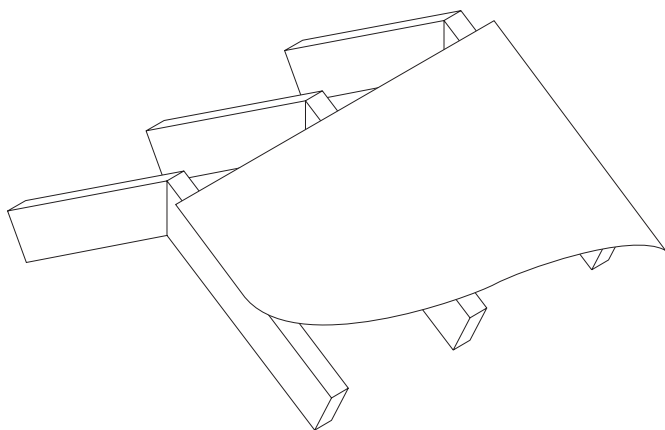
Contents per 2.7 metre pack:

- 5 ridge batten straps
- 6 ventilation strips
- 6 x 457 mm ridge unions (9 for use with 305 mm ridge)
- 6 drive screws with washers, plates and plugs (9 for use with 305 mm ridge)
- Quantity of profile fillers depends on tile width

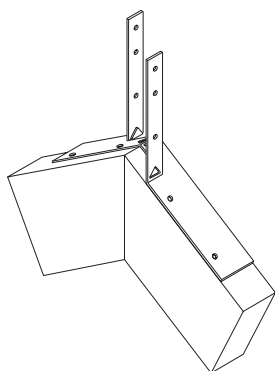
Components



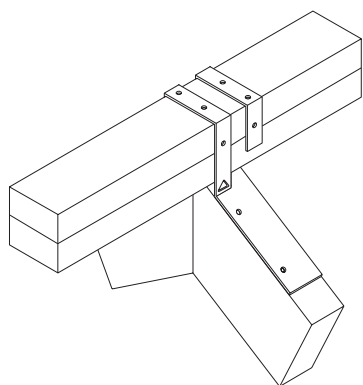
Installation



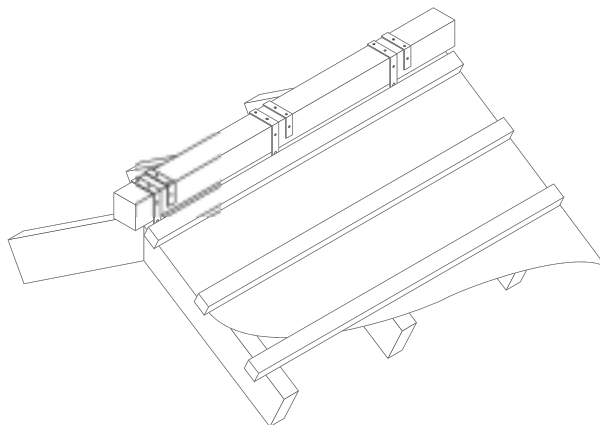
1. Lay the top courses of underlay. Set back 30 mm from the ridge apex where roof space ventilation is required.



2. Bend and fix the ridge batten straps to rafters or trusses using clout head nails. There are sufficient ridge batten straps in each 2.7 metre pack to fix at 600 mm centres.

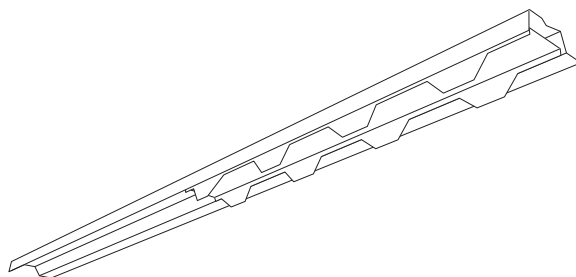


3. Use tile battens to make up to the appropriate height of the ridge batten, ensuring that the drive screws penetrate by at least 25 mm.

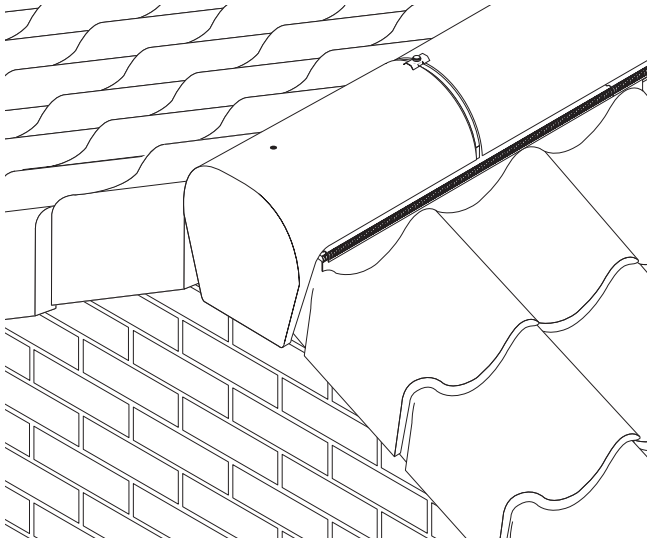


4. Position and fix the top tiling battens so that minimum headlap of the ridges over the top courses of tiles is maintained. For BritLock Slates, County Pantiles and Olympus ensure that ventilation strips and profile fillers avoid tile weather bars. Nail the tiling battens through the ridge batten straps.

Lay and fix the top courses of tiles in the normal way.

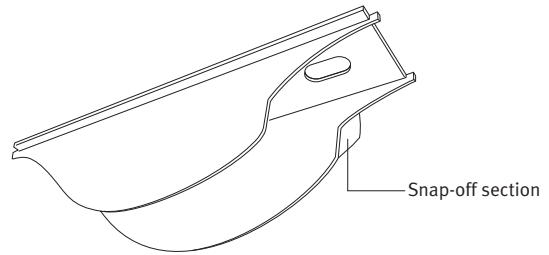


5. For profiled tiles click the profile fillers into the ventilation strips. Then click the ventilation strips together end to end and position to each side of the ridge. Make sure they are facing the correct way – for ease of use both the profile fillers and the ventilation strips have arrows which must point towards the ridge. (For use with County Pantiles, see additional information overleaf).



6. At gables place a block end ridge over the centre line of the apex. Fit a ridge union under the open end of the block end ridge tile. Secure the other end with a drive screw into the ridge batten. Locate the next ridge tile over the ridge union and then secure using a drive screw, sealing washer and plate provided. Continue fixing ridges in the same way along the ridge length.

Note: The drive screws can be driven in most of the way using a hammer, but must be finished off using a screw driver to ensure the ridge plates are a tight fit against the ridges.



Additional information for County Pantile Profile Ridge

The County Pantile profile filler is designed for use with either with full standard tiles or with cut tiles where a full course cannot be set out at the ridge. If it is not possible to fix a full course then the heads of the tiles can be removed. The tiles must then be drilled to achieve a nail fixing into the tile batten. The profile fillers can be fitted in any position on the tiles by removing the small, snap-off section.

Technical enquiries

Tel 0870 145 2021

Fax 0870 145 2019

E-Mail technical@sandtoft.co.uk



**CAMPAIGNING FOR
BEAUTIFUL ROOFS**

At Sandtoft we are continually innovating and improving our product range. We reserve the right to change product specifications without notice. Please contact our Customer Support Team for the latest information or visit www.sandtoft.com