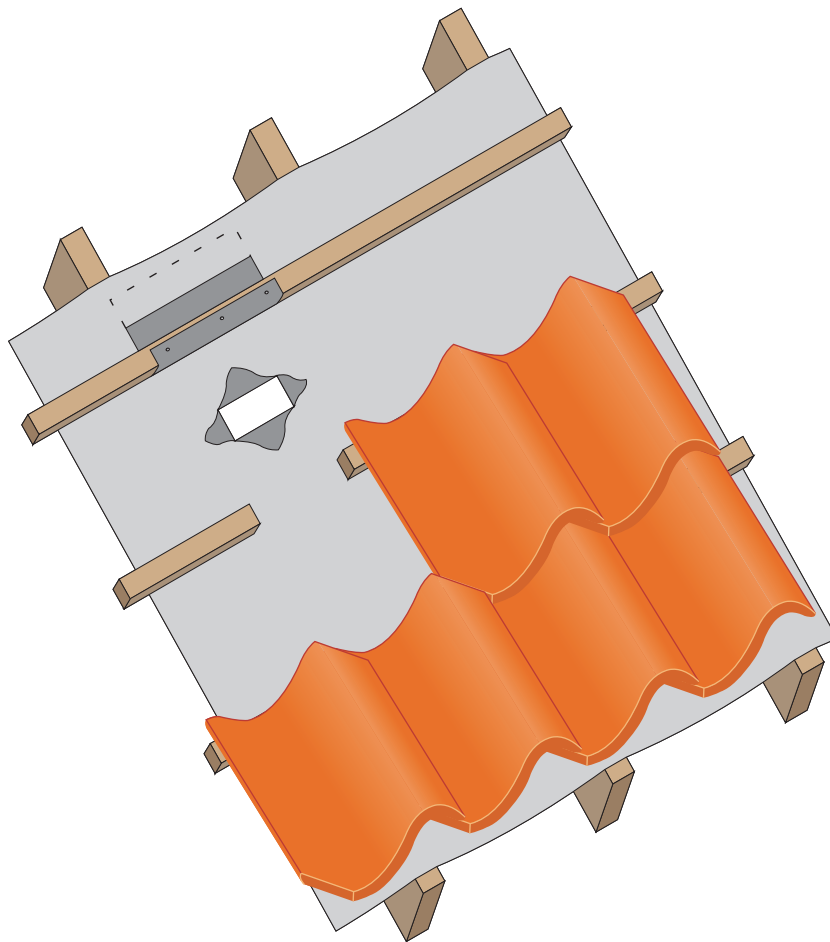


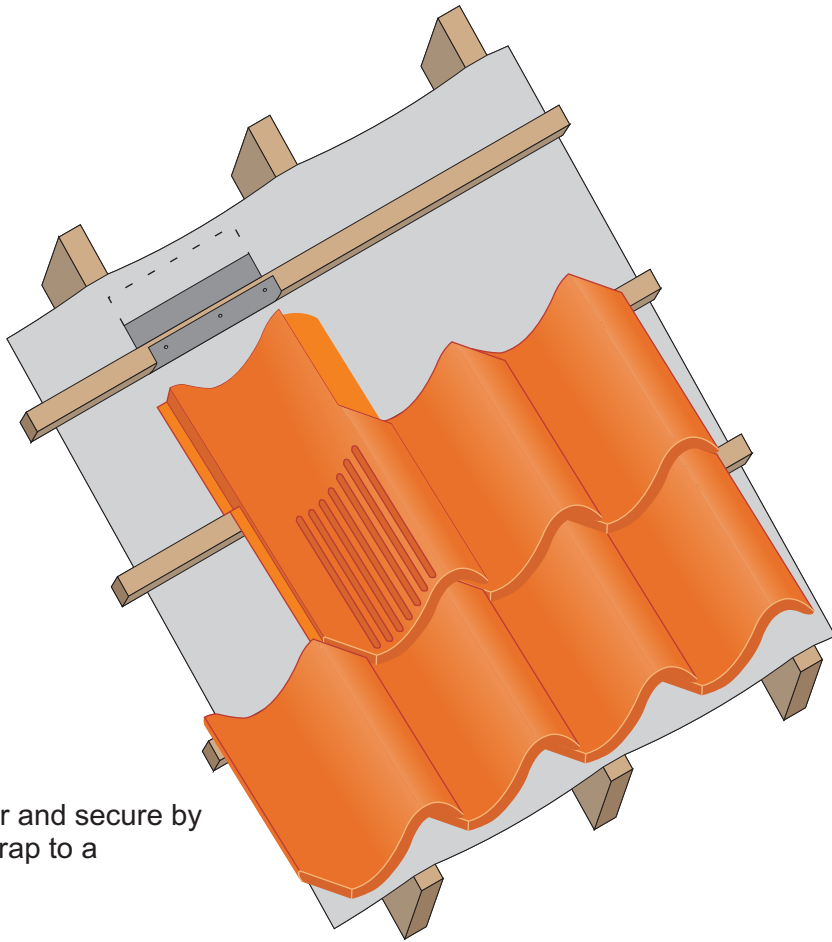


Installation guide for Sandtoft clay pantile ventilators



1. Position ventilator between rafters and cut a section from the tile batten to accommodate ventilator rear box.
2. Cut an opening in the underlay to coincide with the ventilator aperture.
3. Position an extra strip of underlay above the ventilation opening to divert away from the opening any water which may enter the batten cavity above the ventilator (*see Sandtoft installation guide entitled 'Recommendations for protecting penetrations in underlay' for further guidance*)

4. Position ventilator and secure by nailing integral strap to a suitable batten.



5. Position all surrounding tiles and secure to appropriate fixing specification.

